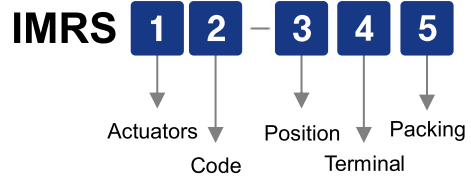


Mini Rotary Dip switches

IMRS Series 7.4×7.4mm



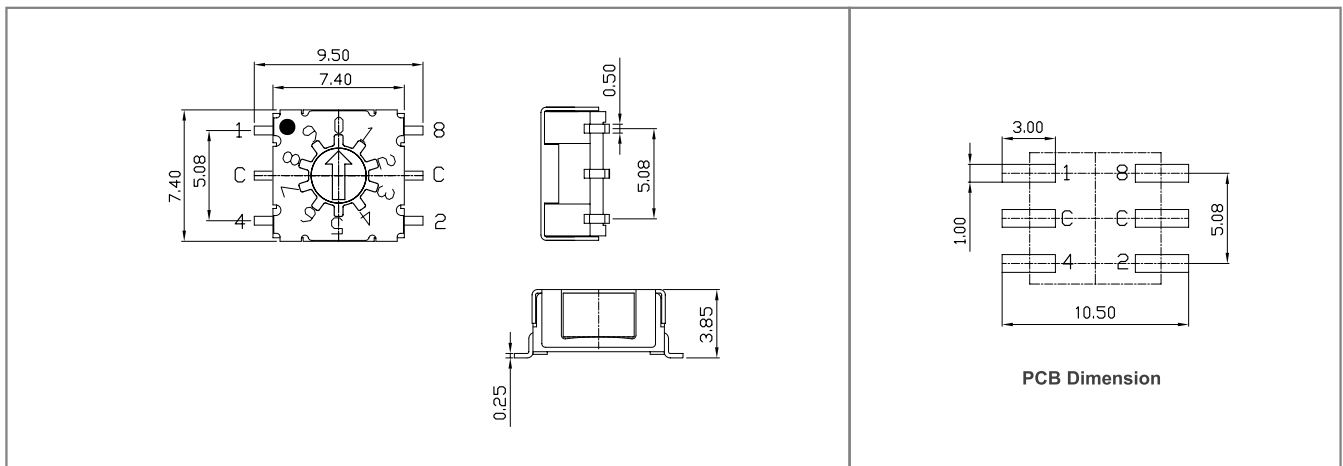
How To Order



► Specifications :

Temperature range		-60°C to + 125°C
Electric performance	Rating	42V 100mA(switching), 400mA(non-switching)
	Contact resistance	80mΩ Max
	Insulation resistance	100MΩ Min
Machanical	Operation force	120gf ±30gf
Durability	Life cycle	25,000 steps
Solder condition	Reflow soldering	10s / 260°C
	Iron soldering	4s / 350°C
	Wave soldering	5s / 280°C
Weather proof		IP67 (Dust & Water Proof)

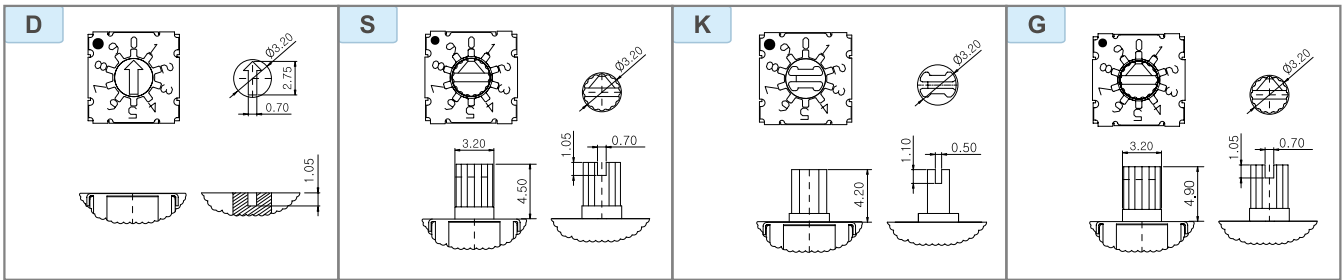
► Drawing



Mini Rotary Dip switches

IMRS Series 7.4×7.4mm

1 Actuators



2 Code

R Real Code

10 Position	Real Code				
	C	1	2	4	8
0	●				
1	●	●			
2	●		●		
3	●	●	●		
4	●			●	
5	●	●		●	
6	●		●	●	
7	●	●	●	●	
8	●				●
9	●	●			●

16 Position	Real Code					
	C	1	2	4	8	
0	●					0
1	●	●				1
2	●		●			2
3	●	●	●			3
4	●			●		4
5	●	●		●		5
6	●		●	●		6
7	●	●	●	●		7
8	●				●	8
9	●	●			●	9
10	●		●			A
11	●	●	●			B
12	●			●	●	C
13	●	●	●	●		D
14	●		●		●	E
15	●	●	●	●		F

C Complement Code

10 Position	Complement Code				
	C	1	2	4	8
0	●	●	●	●	●
1	●		●	●	●
2	●	●		●	●
3	●			●	●
4	●	●	●		●
5	●		●		●
6	●	●		●	
7	●				●
8	●	●	●	●	
9	●		●	●	

16 Position	Complement Code					
	C	1	2	4	8	
0	●	●	●	●	●	0
1	●		●	●	●	1
2	●	●		●	●	2
3	●			●	●	3
4	●	●	●		●	4
5	●		●		●	5
6	●	●		●		6
7	●				●	7
8	●	●	●	●		8
9	●		●		●	9
10	●		●			A
11	●	●	●			B
12	●			●	●	C
13	●	●	●	●		D
14	●		●		●	E
15	●	●	●	●		F

G Gray Code

10 Position	Gray Code				
	C	1	2	4	8
0	●	●			●
1	●	●			
2	●		●		
3	●	●			
4	●			●	
5	●	●			
6	●		●		
7	●			●	
8	●				●
9	●	●			●

16 Position	Gray Code					
	C	1	2	4	8	
0	●	●				0
1	●	●				1
2	●		●			2
3	●	●				3
4	●			●		4
5	●	●				5
6	●		●			6
7	●			●		7
8	●				●	8
9	●	●			●	9
10	●		●			A
11	●	●				B
12	●			●	●	C
13	●	●		●		D
14	●		●		●	E
15	●	●	●	●		F

L Code

4 Position	L Code			
	C	0	1	2
0	●	●		
1	●		●	
2	●			●
3	●			

M Code

4 Position	M Code			
	C	1	2	3
1	●	●		
2	●		●	
3	●			●
4	●			

3 Position

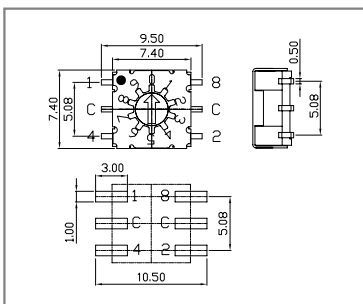
4 Position

10 Position

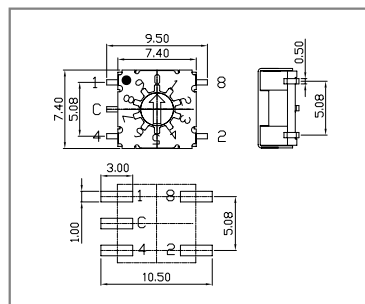
16 Position

4 Terminals

S Standard type



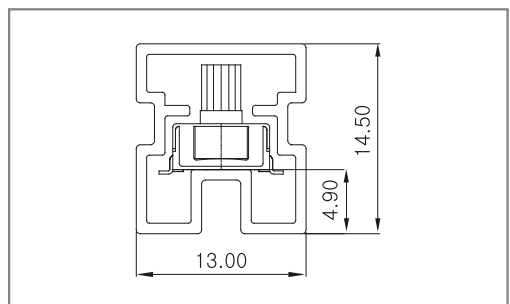
C (3×2 Ter')



5 Packing

TB Tube packing Q'ty : 68 pcs / Tube

TR Reel packing : See page 216



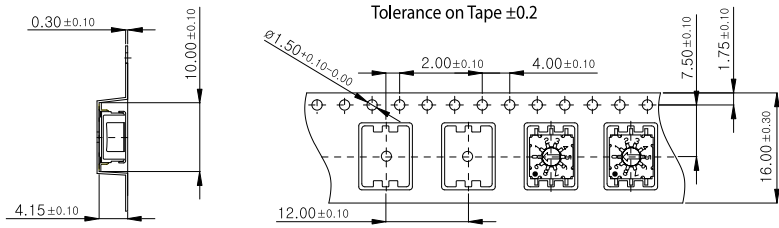
TACT Switches
PUSH Switches
HOOK Switches
DETECTOR Switches
SLIDE Switches
ROTARY Potentiometers
LEVER Switches
ROTARY Switches
CAPS

Mini Rotary Dip switches

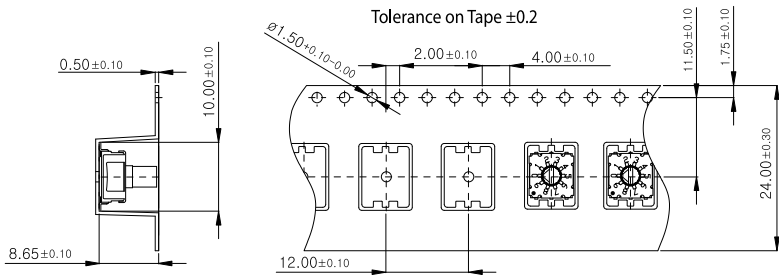
IMRS Series 7.4×7.4mm

- TACT Switches
- PUSH Switches
- HOOK Switches
- DETECTOR Switches
- SLIDE Switches
- ROTARY Potentiometers
- LEVER Switches
- ROTARY Switches
- CAPS

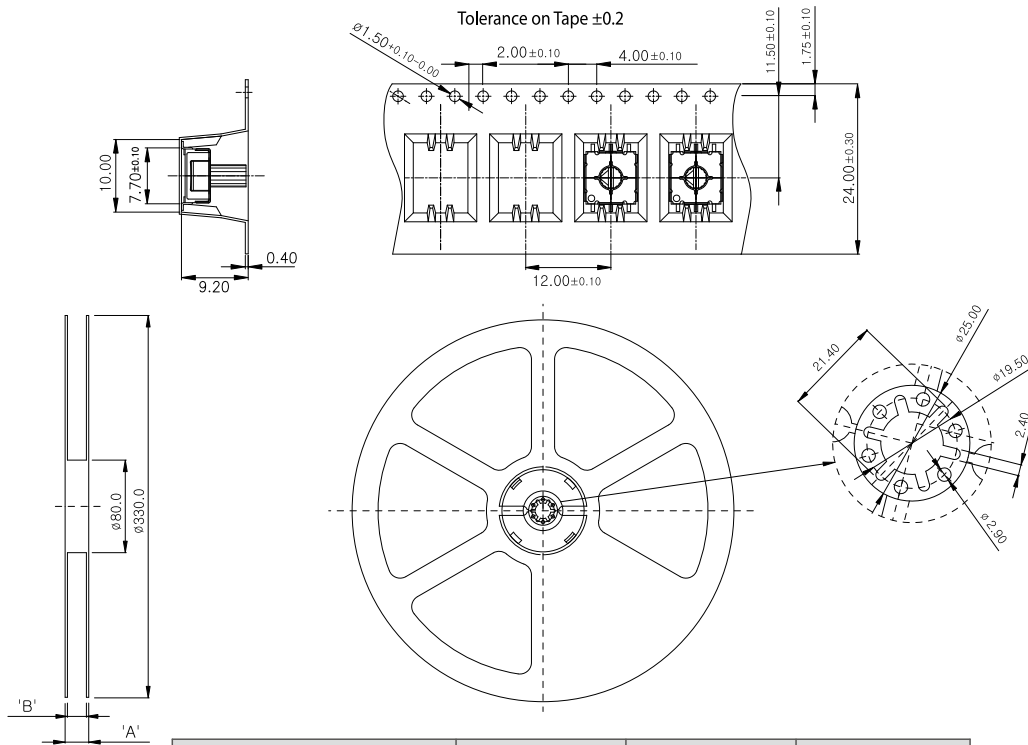
IMRS-D Series



IMRS-K / IMRS-S Series



IMRS-G Series



Apply to	Units(pcs)	A	B
IMRS-D Series	1300	22.4	16.4
IMRS-K / IMRS-S Series	600	30.4	24.4
IMRS-G Series	550	30.4	24.4

