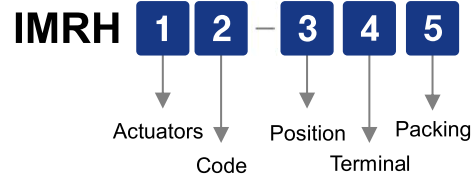


# Mini Rotary Dip switches

IMRH Series 7.4×7.4mm



## How To Order



### ► Specifications :

Temperature range		-60°C to + 125°C
Electric performance	Rating	42V 100mA(switching), 400mA(none-switching)
	Contact resistance	80mΩ Max
	Insulation resistance	100MΩ Min
Mechanical	Operation force	120gf ±30gf
Durability	Life cycle	25,000 steps
Solder condition	Reflow soldering	10s / 260°C
	Iron soldering	4s / 350°C
	Wave soldering	5s / 280°C
Weather proof		IP67 (Dust & Water Proof)

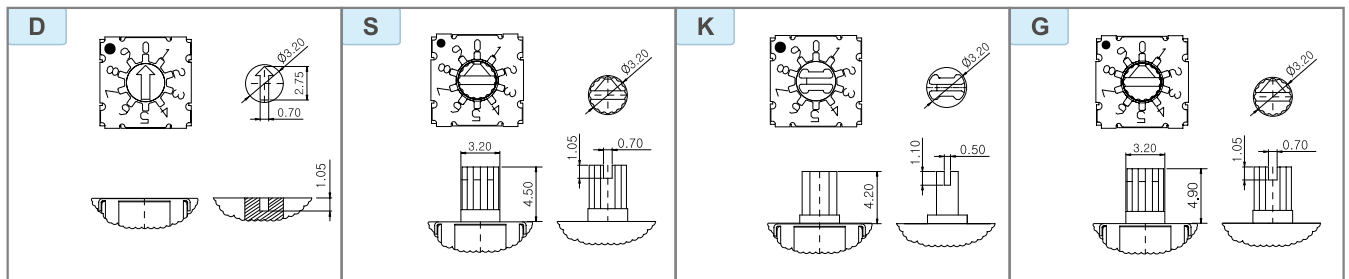
### ► Drawing

<b>H</b>		<p>PCB Dimension</p>
<b>H1</b>		<p>PCB Dimension</p>

# Mini Rotary Dip switches

IMRH Series 7.4×7.4mm

## 1 Actuators



## 2 Code

### R Real Code

10 Position	Real Code				
	C	1	2	4	8
0	●				
1	●	●			
2	●		●		
3	●	●	●		
4	●			●	
5	●	●		●	
6	●		●	●	
7	●	●	●	●	
8	●				●
9	●	●			●

16 Position	Real Code					
	C	1	2	4	8	
0	●					0
1	●	●				1
2	●		●			2
3	●	●	●			3
4	●			●		4
5	●	●		●		5
6	●		●	●		6
7	●	●	●	●		7
8	●				●	8
9	●	●			●	9
10	●		●			A
11	●	●	●			B
12	●			●		C
13	●	●	●	●		D
14	●		●		●	E
15	●	●			●	F

### C Complement Code

10 Position	Complement Code				
	C	1	2	4	8
0	●	●	●	●	●
1	●		●	●	●
2	●	●		●	●
3	●			●	●
4	●		●		●
5	●		●	●	
6	●	●			●
7	●	●	●		●
8	●	●	●	●	
9	●		●	●	

16 Position	Complement Code					
	C	1	2	4	8	
0	●	●	●	●	●	0
1	●		●	●	●	1
2	●	●		●	●	2
3	●			●	●	3
4	●		●		●	4
5	●		●	●		5
6	●	●			●	6
7	●	●	●		●	7
8	●	●	●	●		8
9	●		●	●		9
10	●		●		●	A
11	●	●	●		●	B
12	●			●		C
13	●	●	●	●		D
14	●		●		●	E
15	●	●			●	F

### G Gray Code

10 Position	Gray Code				
	C	1	2	4	8
0	●	●			●
1	●	●			
2	●	●			
3	●	●			
4	●		●		
5	●	●	●		
6	●	●	●		
7	●		●		
8	●			●	
9	●	●	●		●

16 Position	Gray Code					
	C	1	2	4	8	
0	●	●				0
1	●	●				1
2	●	●				2
3	●	●				3
4	●		●			4
5	●	●	●			5
6	●	●	●			6
7	●		●			7
8	●			●		8
9	●	●	●			9
10	●		●			A
11	●	●	●			B
12	●			●		C
13	●	●	●			D
14	●		●			E
15	●	●			●	F

### L Code

4 Position	L Code			
	C	0	1	2
0	●	●		
1	●		●	
2	●			●
3	●			

### M Code

4 Position	M Code			
	C	1	2	3
1	●	●		
2	●		●	
3	●			●
4	●			

## 3 Position

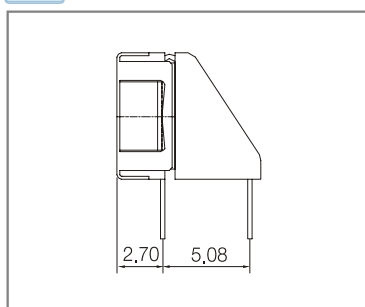
4 Position

10 Position

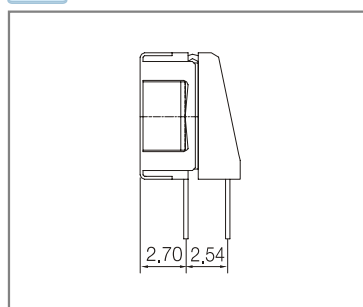
16 Position

## 4 Terminals

### H Angle type(5.08)



### H1 Angle type(2.54)



## 5 Packing

TB Tube packing Q'ty [ H(5.08) : 65 pcs / Tube  
H1(2.54) : 70 pcs / Tube

