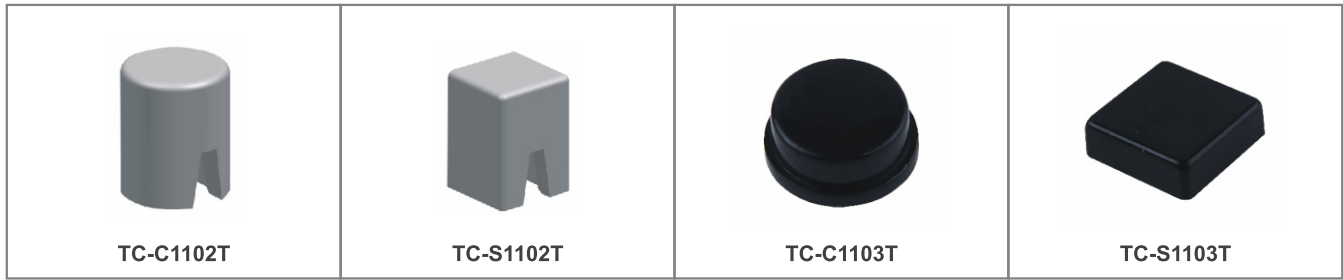


Caps

TC-C1102T, TC-S1102T, TC-C1103T, TC-S1103T Series



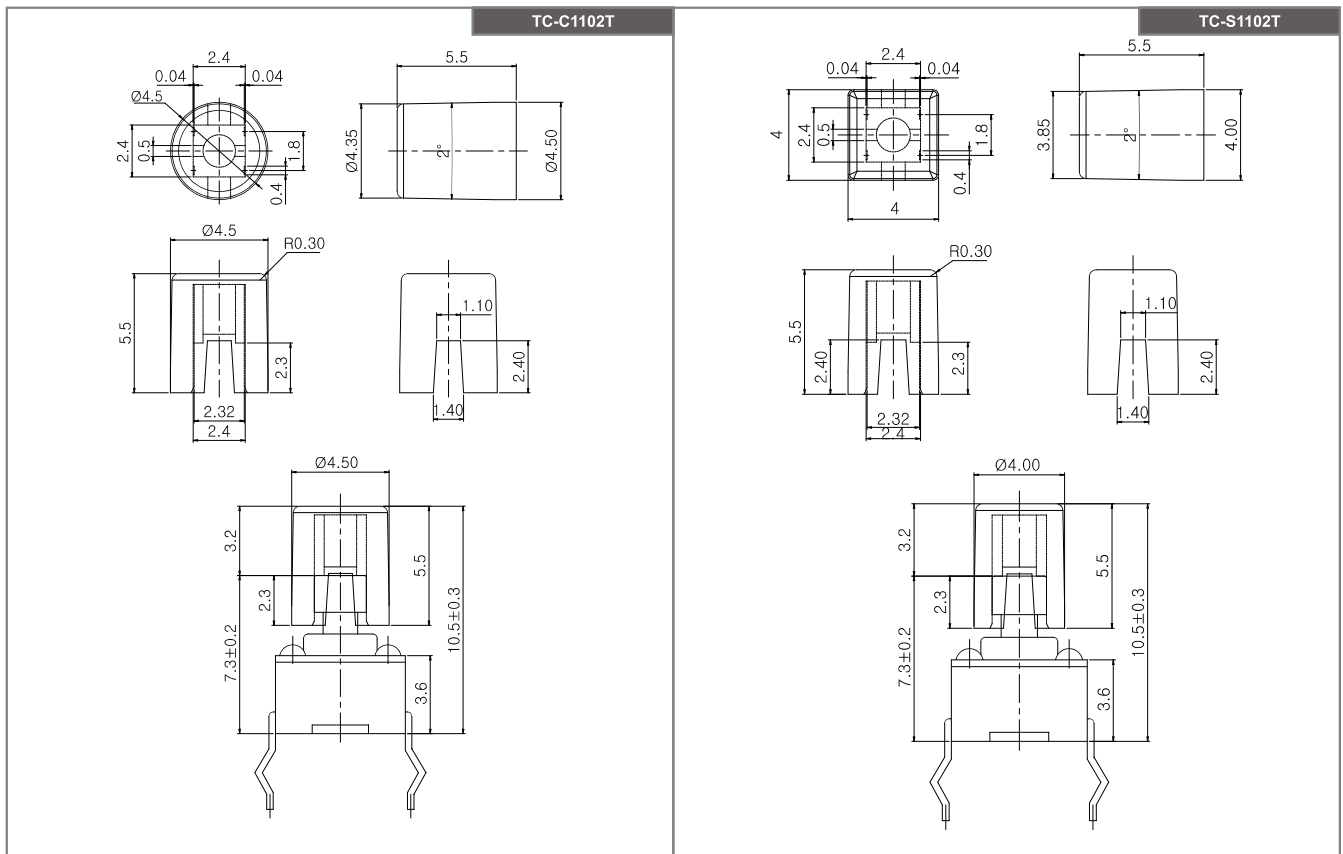
Application models

TC-C1102T, TC-S1102T	INT-1102BT, INT-1102ST, INT-1102VWT Series
TC-C1103T, TC-S1103T	INT-1103BT, INT-1103ST Series

Part list

Part No.				Color
TC-C1102T B	TC-S1102T B	TC-C1103T B	TC-S1103T B	Black
TC-C1102T BL	TC-S1102T BL	TC-C1103T BL	TC-S1103T BL	Blue
TC-C1102T BR	TC-S1102T BR	TC-C1103T BR	TC-S1103T BR	Brown
TC-C1102T G	TC-S1102T G	TC-C1103T G	TC-S1103T G	Green
TC-C1102T GR	TC-S1102T GR	TC-C1103T GR	TC-S1103T GR	Gray
TC-C1102T IV	TC-S1102T IV	TC-C1103T IV	TC-S1103T IV	Ivory
TC-C1102T OR	TC-S1102T OR	TC-C1103T OR	TC-S1103T OR	Orange
TC-C1102T R	TC-S1102T R	TC-C1103T R	TC-S1103T R	Red
TC-C1102T W	TC-S1102T W	TC-C1103T W	TC-S1103T W	White
TC-C1102T Y	TC-S1102T Y	TC-C1103T Y	TC-S1103T Y	Yellow

Drawing



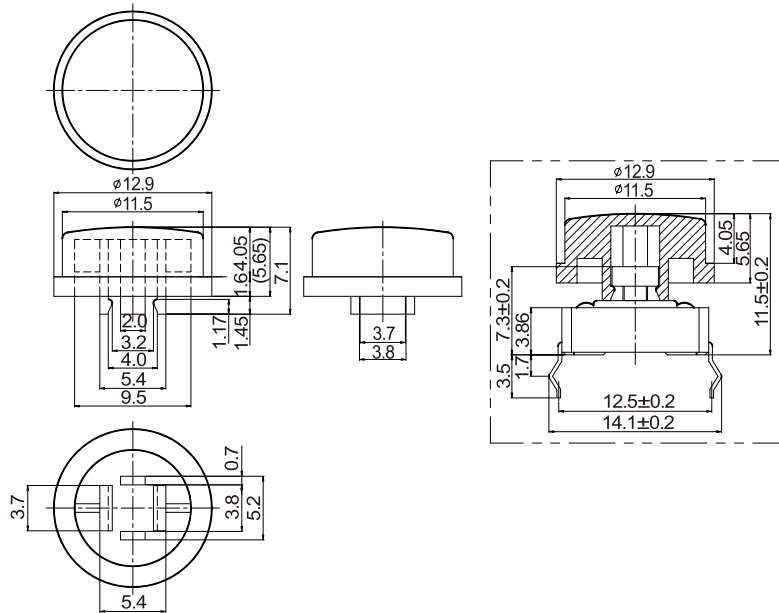
TACT Switches
 PUSH Switches
 HOOK Switches
 DETECTOR Switches
 SLIDE Switches
 ROTARY Potentiometers
 LEVER Switches
 ROTARY Switches
 CAPS

Caps

TC-C1102T, TC-S1102T, TC-C1103T, TC-S1103T Series

► Drawing

TC-C1103T



TC-S1103T

