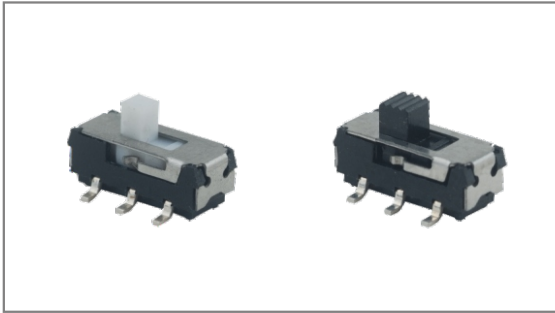


# Slide switches

**INS-2250S Series** 9.0×3.5mm with 3.5mm Height, 2C 2P, Non shorting, 2mm Travel, Surface mount type



- **Features** : Subminiature slide switch for compact & high density design
- **Applications** : Computer & peripherals, Telecommunication, Consumer electronics, Instrumentation, Test & measurement
- **Specifications** :

Rating	DC 6V 0.3A
Contact resistance	70mΩ Max.
Travel (mm)	2.0

## ► Part list

Part No.	Knob size (mm)		Operating force	Life	QTY per pack (Tape & reel)	Remarks
	Length (mm)	□ (mm)				
INS-2250S2015	2.0	1.5×1.5	200±100gf	10,000 Cycles Min.	1K	without serration
INS-2250S20	2.0	2.0×2.0				with serration
INS-2250S30	3.0	1.5×1.5			without serration	
INS-2250S40	4.0	1.5×1.5			750	with serration
INS-2250S44	4.4	2.0×2.0				
INS-2250S60	6.0	2.0×2.0				

## ► Drawing

Without serration	Circuit diagram