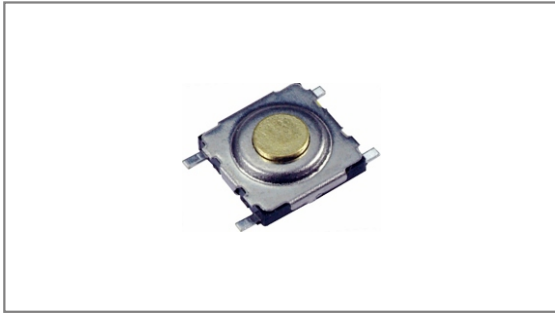


Low Profile SMT Tact switches

INT-1187FB Series

5.0×5.0mm with 1.5mm length, Brass stem, Dustproof, Surface mount type



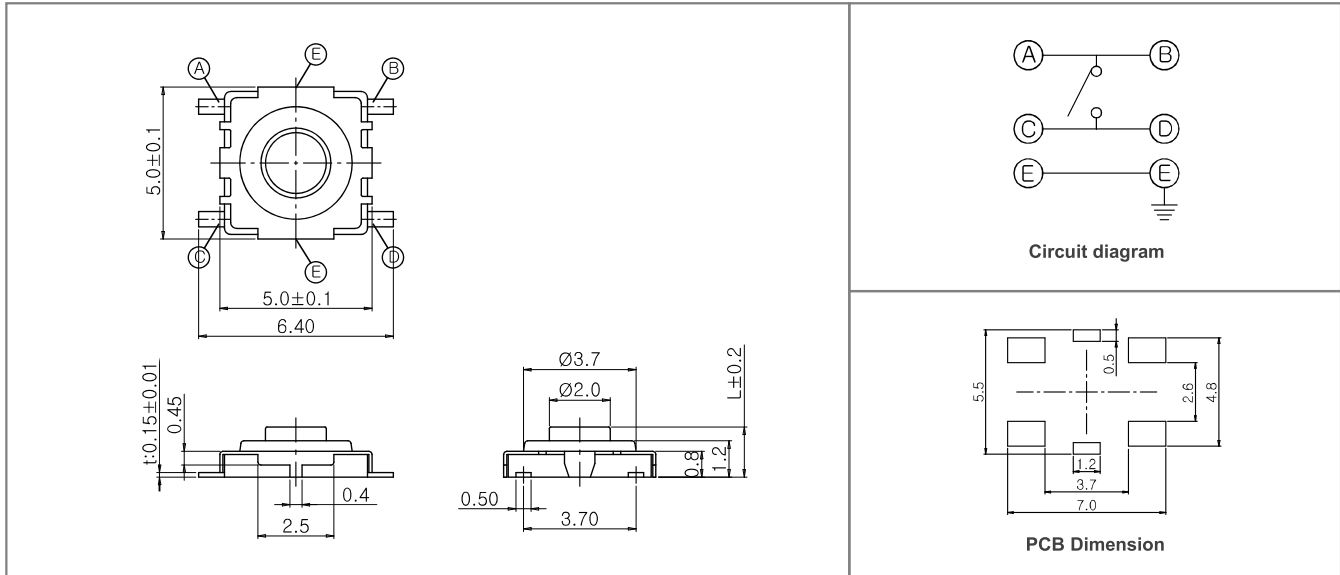
- ▶ **Features :** Low profile & Compact design
- ▶ **Applications :** Consumer electronics, Computer devices, Home appliances, Audio-visual equipments
- ▶ **Specifications :**

Rating	DC 12V 50mA
Contact resistance	100mΩ Max.
Travel (mm)	0.25±0.1

▶ Part list

Part No.	Stem material	Length (mm)	Operating force	Life	QTY per pack (Tape & reel)
INT-1187FB15A	Brass	1.5	200±50gf	100,000 Cycles Min.	4K
INT-1187FB16A		1.65			
INT-1187FB20A		2.0			
INT-1187FB31A		3.1			
INT-1187FB43A		4.3			
INT-1187FB15B		1.5	250±70gf		4K
INT-1187FB16B		1.65			
INT-1187FB20B		2.0			
INT-1187FB31B		3.1			
INT-1187FB43B		4.3			

▶ Drawing



TACT Switches
PUSH Switches
HOOK Switches
DETECTOR Switches
SLIDE Switches
ROTARY Potentiometers
LEVER Switches
ROTARY Switches
CAPS