

Detector switches

IND-1120V Series Through hole type, Side push, Knob on the left / right side




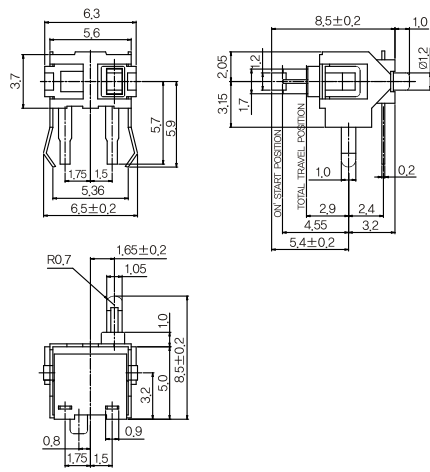
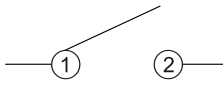
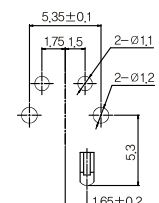

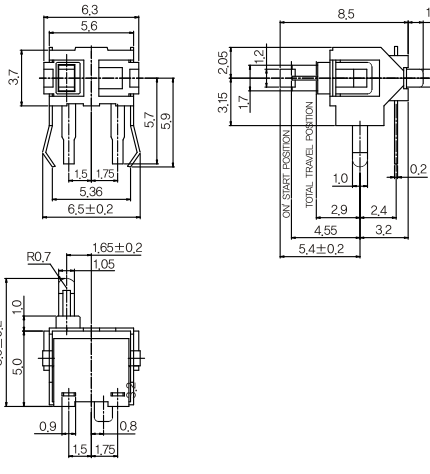
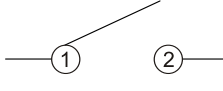
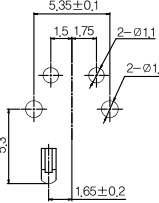
- **Features :** Detect the presence of a mechanical device
- **Applications :** Various digital AV devices
- **Specifications :**

Rating	DC 30V 0.1A
Contact resistance	1Ω Max.

► **Part list**

Part No.	Length (mm)	Operating force	Life	QTY per pack (Plastic bag)	Remarks
IND-1120VA85A	5.4	40gf	50,000 Cycles Min.	2K	Right-side knob
IND-1120VB85A					Left-side knob

► **Drawing**

 <p>INP-1120VA85A</p>		 <p>Circuit diagram</p>  <p>PCB Dimension</p>
 <p>INP-1120VB85A</p>		 <p>Circuit diagram</p>  <p>PCB Dimension</p>